

Selected rigging plot: Main C Y-Series flown

Array data

Position x:	0.0 ft	Position Y:	0.0 ft
Frame height front (z):	21.1 ft	Distance L/R:	0.0 ft
Horizontal aiming:	0.0 °	No. of Y-SUB	0
Frame angle:	-8.5 °	No. of Y8	0
Height of lowest edge:	17.83 ft	No. of Y12	4

Pickpoints

	Rear	Front	Distance	Single
X:	-1.23 ft	-0.97 ft	0.26 ft	-0.97 ft
Y:	0.00 ft	0.00 ft	0.00 ft	0.00 ft
Pickpt. hole:	23	18		18
Position:				1.0 ft

Y Flying adapter pickpoints

Pickpoint hole:	14.0	Pickpoint pos.:	0.9 ft
-----------------	------	-----------------	--------

Overall dimensions (incl. frame(s) without any other rigging components)

depth (X):	2.57 ft
width (Y):	2.07 ft
height (z):	3.65 ft

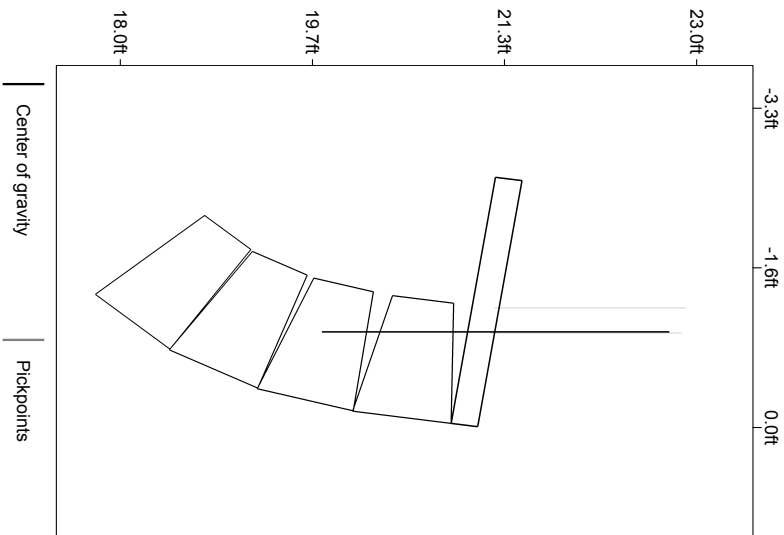
Warning

Always make sure that each of your hoists is able to carry the total weight of the array.

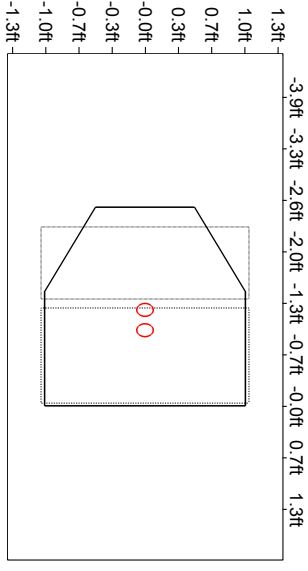
Load

Load OK	within BGV-C1 limits	15% of load limit
Rear pick:		9 lbs
Front pick:		211 lbs
Single pick:		220 lbs
Total weight:		220 lbs

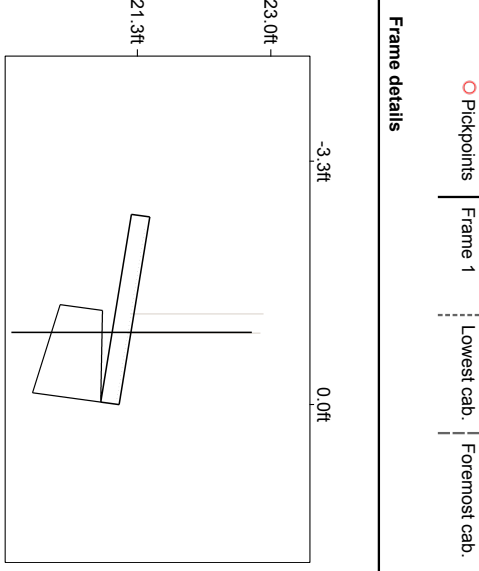
Array view



Required space (L)



Frame details



Selected source: Main C Y-Series flown



Array settings

Position x:	0.0 ft	Position Y:	0.0 ft
Frame height front:	21.1 ft	No. of Y-SUB:	0
Horizontal aiming:	0.0 °	No. of Y8:	0
Frame angle:	-8.5 °	No. of Y12:	4
Delay (abs.):	6.2 ms		

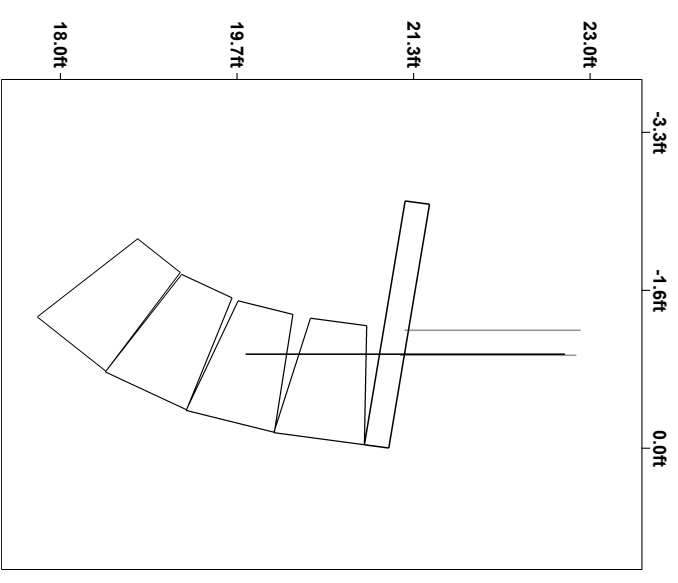
TOPs

CUT: Off CPL: -1

Cab.	Type	Setup	Level/dB	HFC	Abs.:	Splay:
1	Y12	Line	0.0	--	-8.5 °	0.0 °
2	Y12	Arc	0.0	--	-15.5 °	7.0 °
3	Y12	Arc	0.0	--	-27.5 °	12.0 °
4	Y12	Arc	0.0	--	-41.5 °	14.0 °

Load	
Load OK	within BGV-C1 limits 15% of load limit
Total weight:	220 lbs
Height of lowest edge:	17.83 ft

Array view

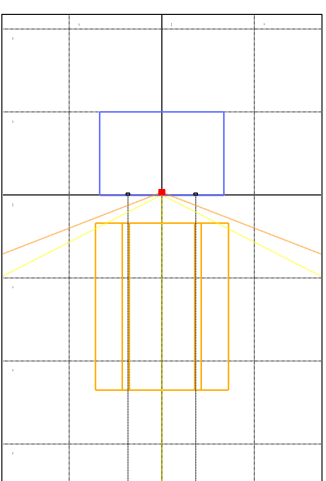


Pickpoints	Rear		Front		Distance		Single	
	x:	y:	x:	y:				
	-1.23 ft	0.00 ft	-0.97 ft	0.00 ft	0.26 ft	0.00 ft	-0.97 ft	0.00 ft
Load:	9 lbs	211 lbs						220 lbs
Pickpt. hole:	23	18						18
Position:								1.0 ft

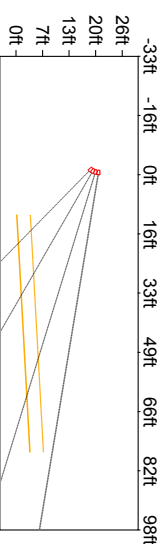
Air absorption On

Temperature: 20 °C Humidity: 60 %

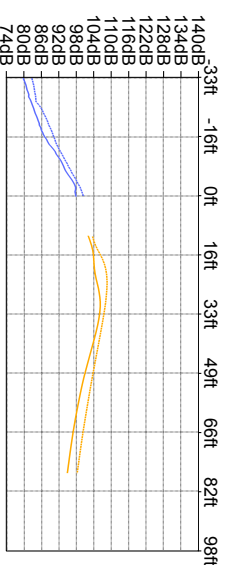
Top view



Main C: Profile at 0 ° aiming



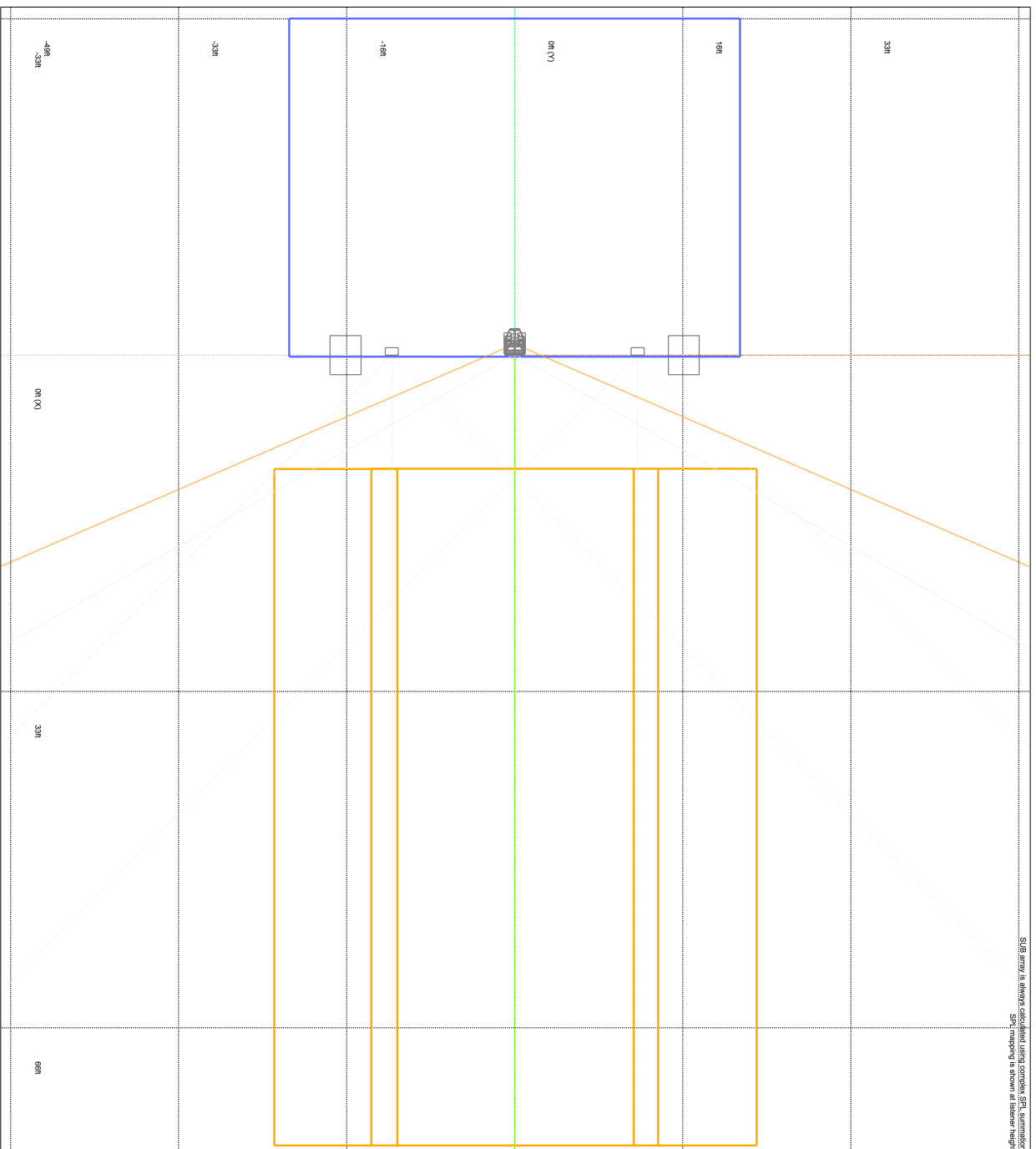
Main C: Direct sound level vs. distance/dB SPL



Signal selection

Curve 1:	1000 Hz	Level (dBU):	0.0
Curve 2:	500 Hz		

Live



SPL array is always calculated using complex SPL summation. SPL mapping is shown at listener height.

SPL calculation

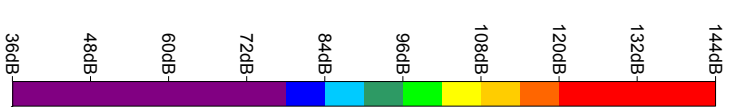
Resolution: High (1m)
 Highest SPL: -- dB

Simulated signal

Level: 0.0 dBu
 Signal: BB pink (linear)
 Show interferences: Off

Air absorption

On/Off: On
 Temperature: 20 °C
 Humidity: 60.0 %



Parts list



Arrays	d&b part no.	Array 1 Main C (single)	SUB array 1 SUB array	Total
Y-Series				
Y-SUB	Z0709			--
Y8	Z0707	1		1
Y12	Z0708	3		3
Y7P	Z0702			--
Y10P	Z0703			--
Rigging parts:				
Y Flying frame	Z5390	1		1
Y Hoist connector chain	Z5391	2		2
Y Safety chainset 2 leg	Z5392	1		1
SUBS				
B2-SUB	Z0056			--
B4-SUB	Z0610			--
B6-SUB	Z0710			--
B22-SUB	Z0057		4	4
Amplifiers				
D12	Z2600			--
D6	Z2700			--
D80	Z2710			--
D20	Z2750	4	4	3
10D	Z2760			--
30D	Z2770			--

Parts list



Point sources	d&b part no.	PSG 1 Front Fills	Total
E-Series			
E0	Z0400		--
E3	Z0300		--
E4	Z0440		--
E5	Z0450		--
E6	Z0350		--
E8	Z0620	2	2
E9	Z2250		--
E12	Z0601		--
E12-D	Z0602		--
E12-SUB	Z0200		--
E15-SUB	Z0615		--
E18-SUB	Z2253		--
Amplifiers			
		Chs	Amps
D12	Z2600		--
D6	Z2700	1	1
D80	Z2710		--
D20	Z2750		--
10D	Z2760		--
30D	Z2770		--